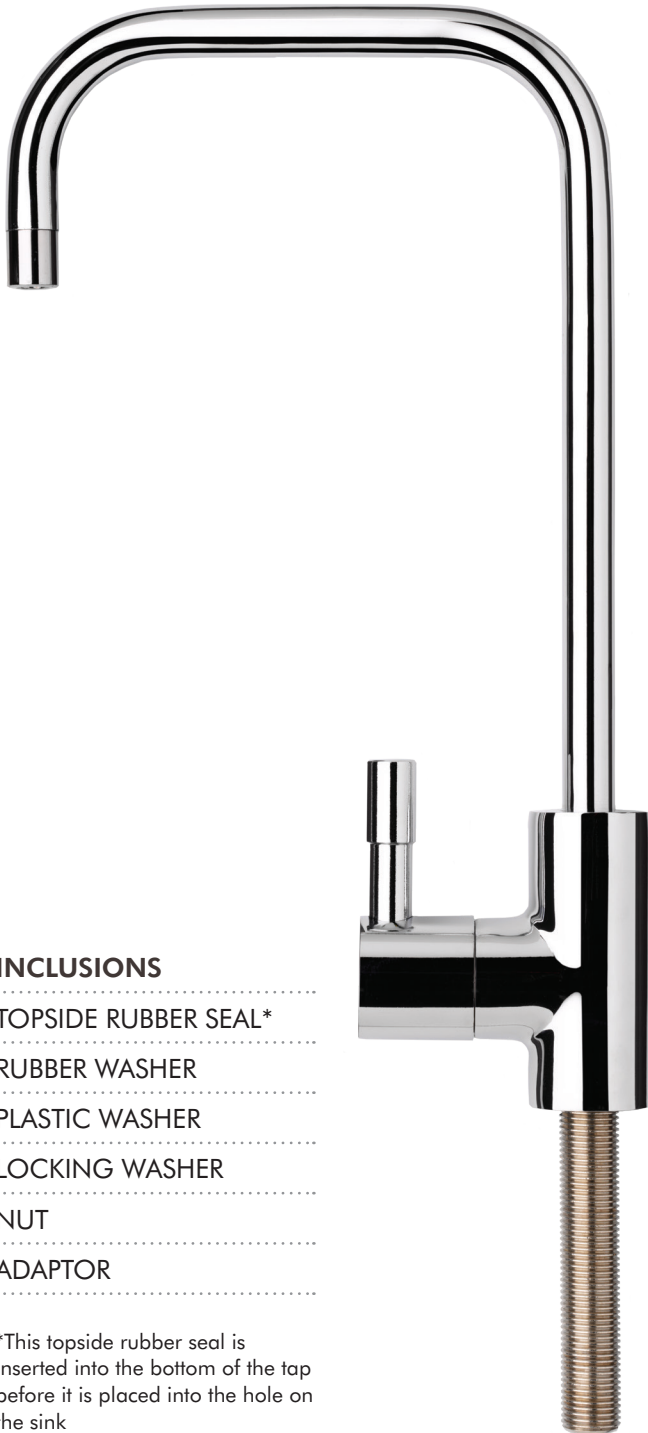


# SPECIFICATIONS

## WFA Filter Tap (square neck)

T-SQ



### INCLUSIONS

TOPSIDE RUBBER SEAL\*

RUBBER WASHER

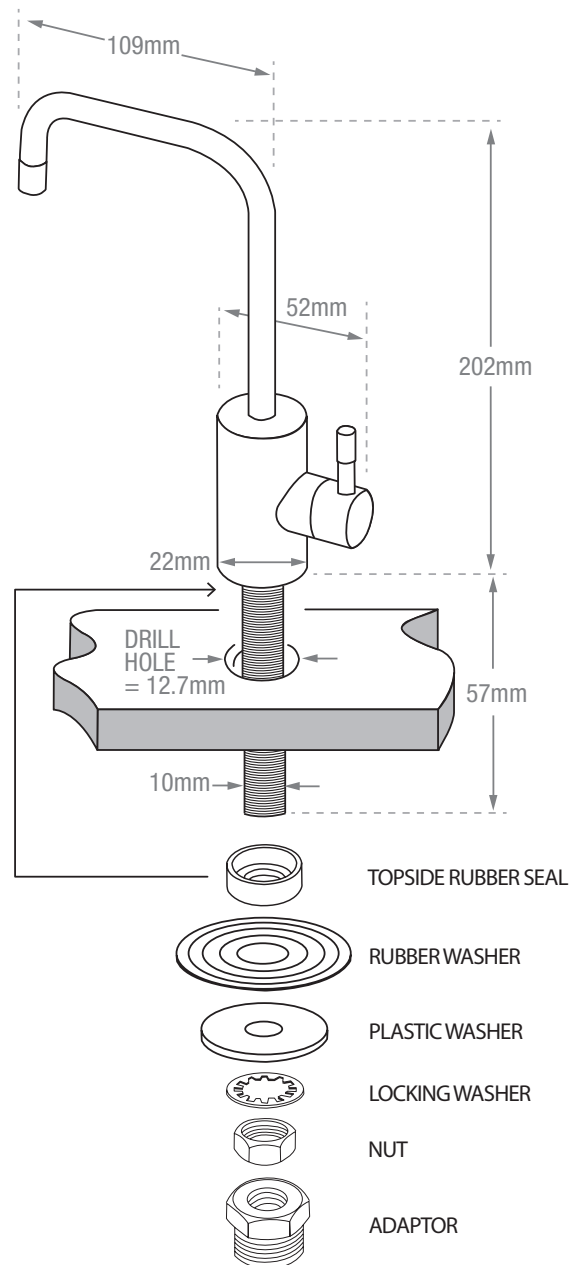
PLASTIC WASHER

LOCKING WASHER

NUT

ADAPTOR

\*This topside rubber seal is inserted into the bottom of the tap before it is placed into the hole on the sink



To find out more call us on 02 9905 6211  
Or if you prefer, you can email us at [sales@wfa.com.au](mailto:sales@wfa.com.au)

WaterFilters  
AUSTRALIA